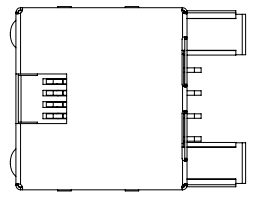


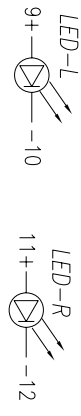
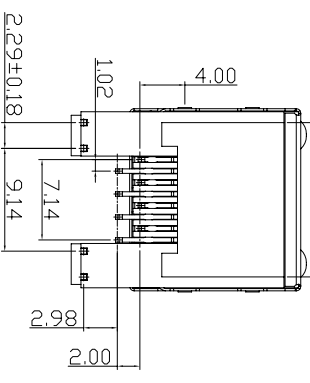
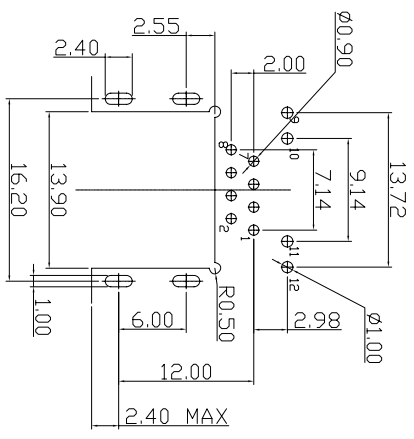
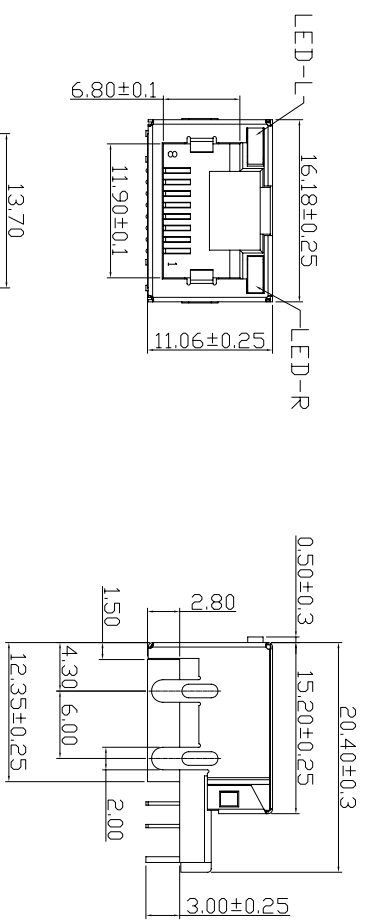
| | | | | | | | |
|-----------|------------------------|----------------------|------|--------|-------------|---------|------------|
| CATEGORY | DESCRIPTION | P/N # | REV. | ECN NO | DESCRIPTION | REVISED | DATE |
| CONNECTOR | RJ45 带灯沉板H=2.5mm (加长型) | MJ881B-BX11-HRVLX1-X | A01 | | New Release | XSY | 2017.02.13 |



MJ881B-BX11-HRVLX1-X

| | |
|---|------------------|
| X | Terminal Plating |
| 0 | Au 1u" Plating |
| 1 | Au 3u" Plating |
| 2 | Au 6u" Plating |
| 3 | Au 15u" Plating |
| 4 | Au 30u" Plating |

| | | |
|---|--------|--------|
| X | LED-L | LED-R |
| 1 | GREEN | YELLOW |
| 2 | YELLOW | GREEN |



- SPECIFICATION
- VOLTAGE RATING: 125 VAC RMS.
 - CURRENT RATING: 1.5 AMP
 - CONTACT RESISTANCE: 40 mΩ MAX
 - INSULATION RESISTANCE: 500MΩ MIN.
 - WITHSTAND VOLTAGE: AC1000V RMS 50Hz or 60Hz MIN.
 - OPERATING TEMPERATURE: -40°C~+80°C

Recommend PCB Layout
(Jack Top View)
Tolerance: ±0.05mm
Recommend PCB Thickness: 1.6mm

| | | | | | |
|-----|-----------|-----|-------------------------|-----------------|--------|
| f | LED-R | 1 | See Table | Tin PALTING | |
| e | LED-L | 1 | See Table | Tin PALTING | |
| d | SHELL | 1 | BRASS T=0.2mm | Ni PALTING | |
| c | TERMINAL | 8 | PHOSPHOR BRONZE T=0.3mm | Au PALTING | |
| b | COVER | 1 | LCP UL94V-0 | BLACK | |
| a | HOUSING | 1 | LCP UL94V-0 | BLACK | |
| NO. | PART NAME | QTY | MATERIAL | PLATING & COLOR | Remark |

UNLESS OTHERWISE SPECIFIED TOLERANCES:
DECIMALS: ANGLES:
X :±0.5 X :±2
XX :±0.3 XX :±1
XXX :±0.2

| | | | |
|----------------------|--------------|-----------------------------------------------------------------|--|
| | | 东莞市合陵电子有限公司 Dongguan Heling Electronic Co.,LTD | |
| SCALE: 1/1 | UNIT: mm | DWG. NO: | |
| SIZE: A3 | PAGE: 1 OF 1 | REV: A01 | |
| APPROVED BY | CHECKED BY | PREPARED BY | |
| DICK | XSY | XSY | |
| CUSTOMER COPY | | | |