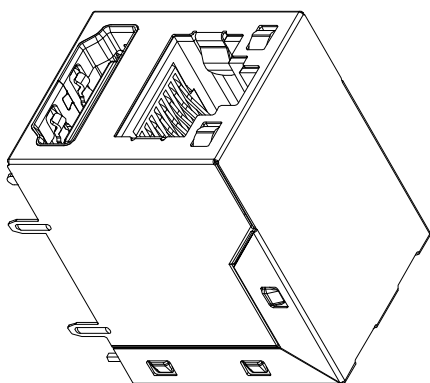
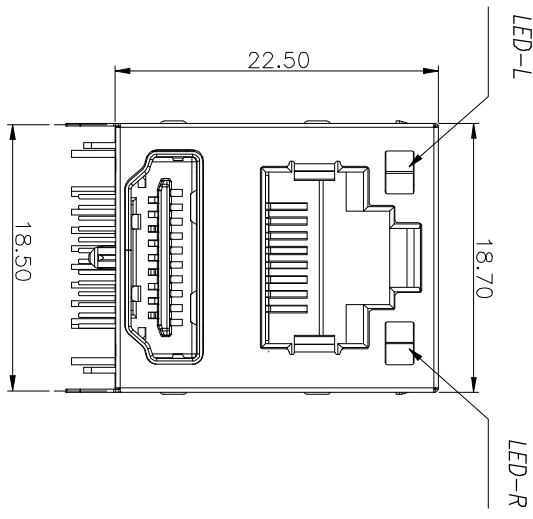
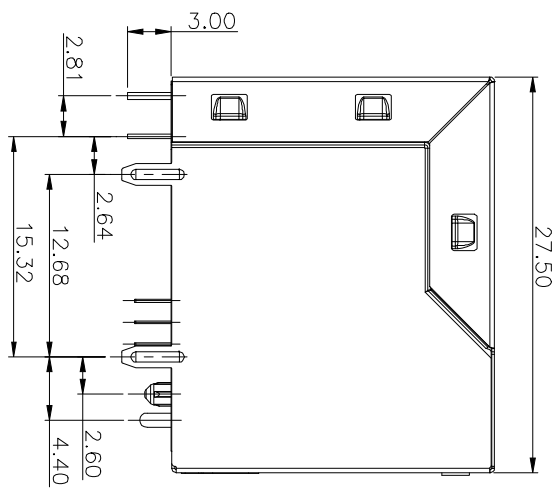


CATEGORY	DESCRIPTION	P/N #
CONNECTOR	RJ45 8P8C +HDMI Connector With LED	MH88F-XX21-CPRDLX03

REV.	ECN NO	DESCRIPTION	REVISED	DATE
A01		New Release	KELLY	2013.07.23



- NOTE:
- MATERIAL:
    - 1.1 HOUSING: (HIGH TEMP.)THERMOPLASTIC UL94V-0 BLACK
    - 1.2 CONTACT: COPPER ALLOY
    - 1.3 SHELL: COPPER ALLOY
  - FINISH:
    - 2.1 CONTACT: GOLD PLATED OVER
    - 2.2 SHELL: NICKEL PLATING OVERALL
  - LED1: YELLOW
  - LED2: GREEN

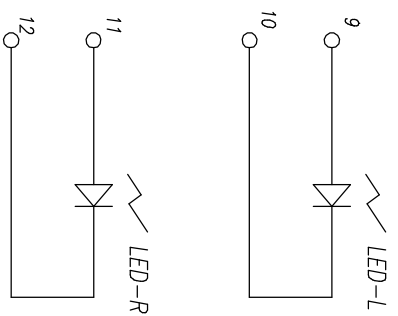
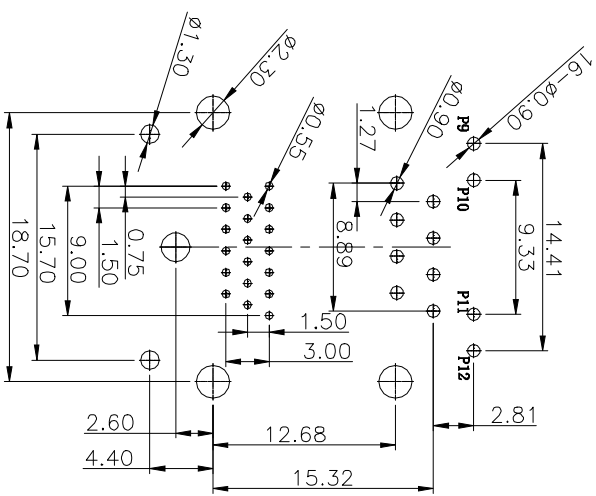
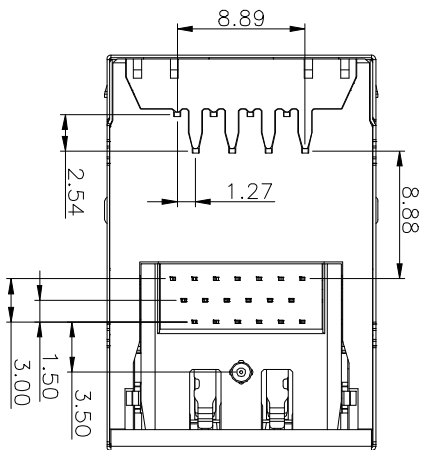


Table 1

X	RJ45塑胶颜色区分
B	BLACK
Y	YELLOW
U	BLUE

Table 3

X	LED-L	LED-R
1	GREEN	YELLOW
2	YELLOW	GREEN

Table 2

Material & Plating

X	Terminal Plating
0	Au 1u" Plating
1	Au 3u" Plating
2	Au 6u" Plating
3	Au 15u" Plating
4	Au 30u" Plating

RECOMMENDED P.C.B LAYOUT  
TOP VIEW (COMPONENT SIDE)

UNLESS OTHERWISE SPECIFIED TOLERANCES		SCALE: 1/1	UNIT: mm	DWG. NO:
DECIMALS: X	:±0.5	APPROVED BY	TNOY	CHECKED BY
X.X	:±0.3	BILL		KELLY
X.XX	:±0.2	PREPARED BY		

CUSTOMER COPY

**东莞市合陵电子有限公司**  
Dongguan Heling Electronic Co.,LTD